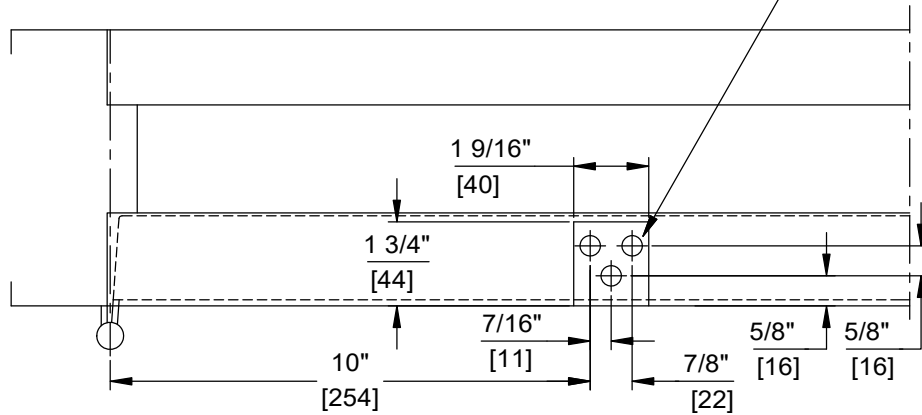
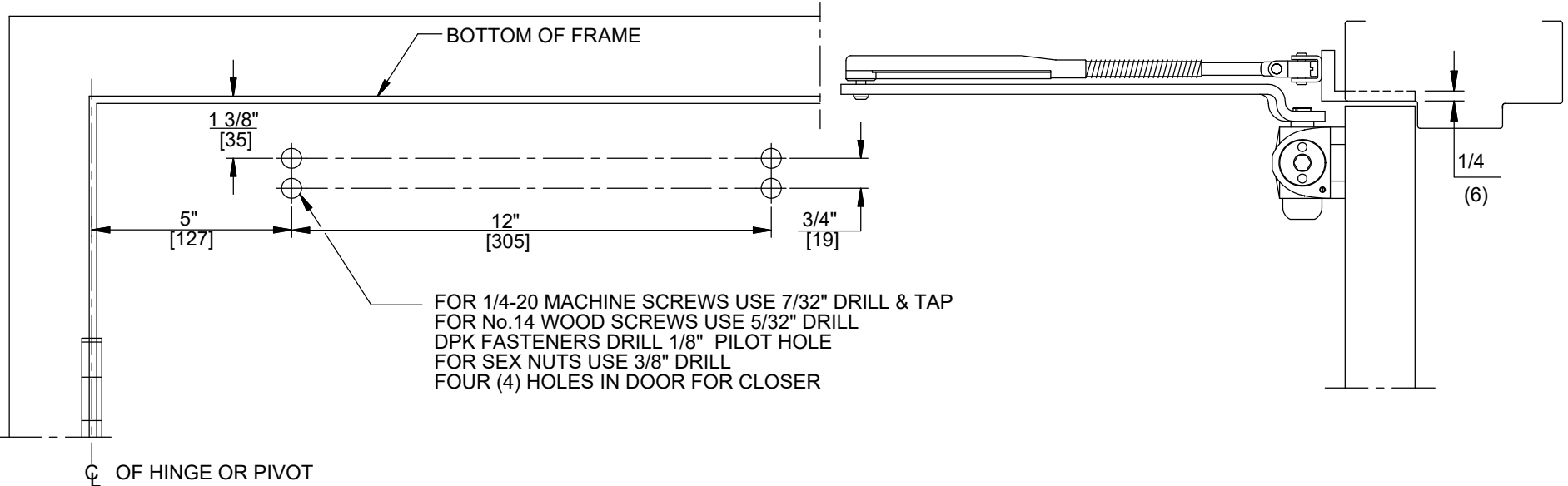


FOR 1/4-20 MACHINE SCREWS USE 7/32" DRILL & TAP
 FOR No.14 WOOD SCREWS USE 5/32" DRILL
 DPK FASTENERS DRILL 1/8" PILOT HOLE
 THREE (3) HOLES IN RABBET FOR BRACKET



- NOTES:
1. DO NOT SCALE DRAWING.
 2. DIMENSIONS ARE IN INCHES/(MM).
 3. RIGHT HAND DOOR SHOWN.
 4. CAUTION: SEX NUTS ARE REQUIRED FOR ATTACHMENT OF COMPONENTS TO UNREINFORCED DOORS AND TO WOOD OR PLASTIC FACED COMPOSITE TYPE FIRE DOORS, UNLESS AN ALTERNATIVE METHOD IS IDENTIFIED IN THE INDIVIDUAL DOOR MANUFACTURER'S LISTINGS.
 5. MAX. OPENING IS 180°.
 6. OPTIONAL DPK FASTENERS (DPK86) FOR STEEL DOOR & FRAME ONLY.

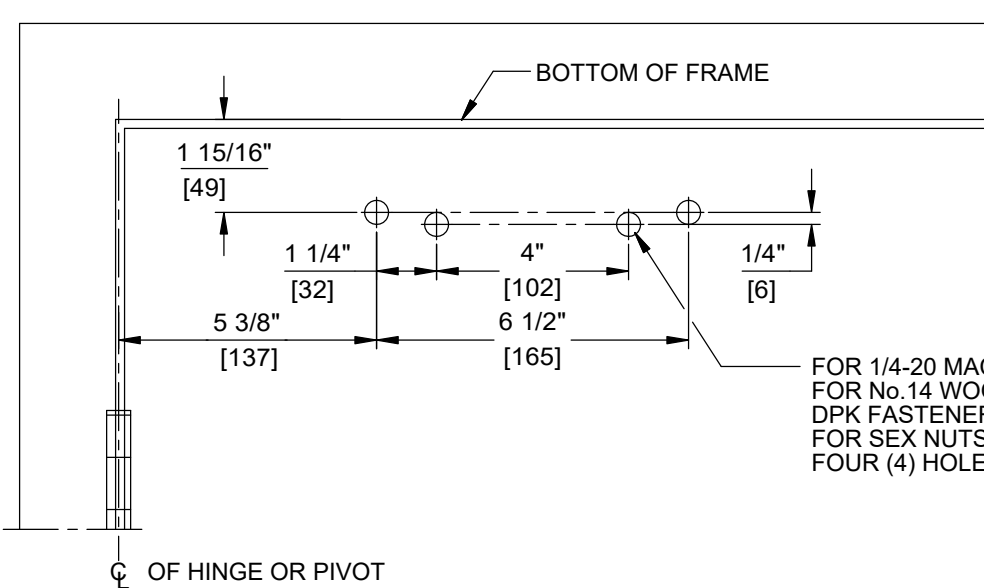
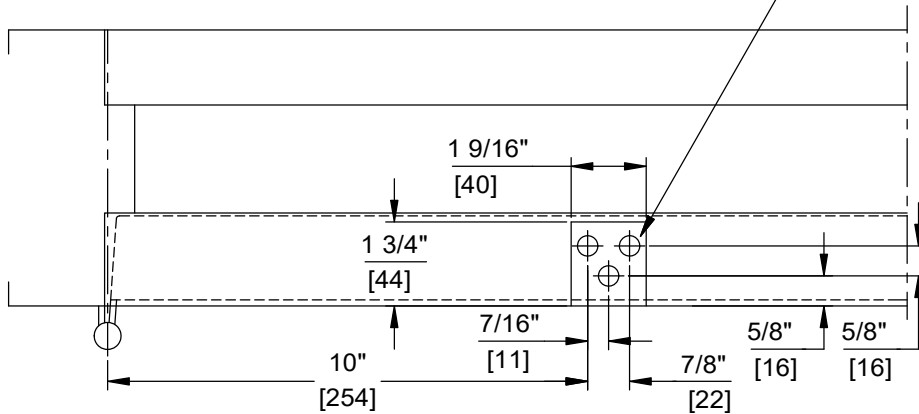


DOOR CLOSER MODELS: 8616 AR x MJ
 REGULAR INSTALLATION (PULL SIDE MOUNT)

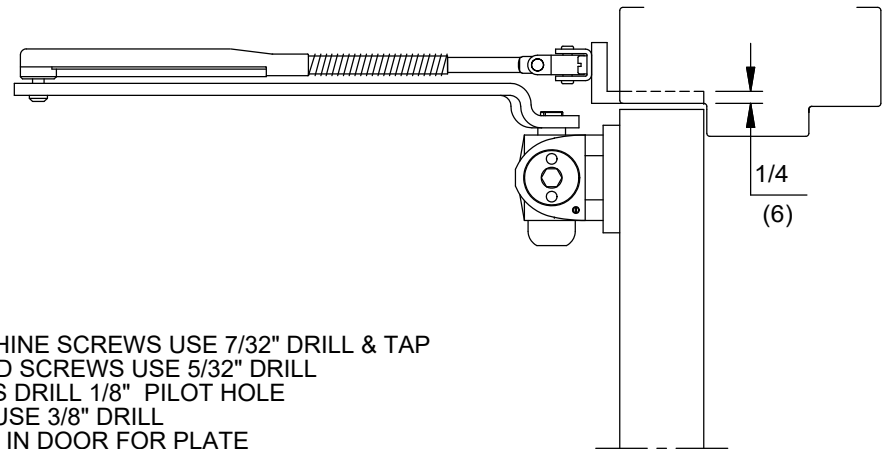
FOR 1/4-20 MACHINE SCREWS USE 7/32" DRILL & TAP
 FOR No.14 WOOD SCREWS USE 5/32" DRILL
 DPK FASTENERS DRILL 1/8" PILOT HOLE
 THREE (3) HOLES IN RABBET FOR BRACKET

NOTES:

1. DO NOT SCALE DRAWING.
2. DIMENSIONS ARE IN INCHES/(MM).
3. RIGHT HAND DOOR SHOWN.
4. CAUTION: SEX NUTS ARE REQUIRED FOR ATTACHMENT OF COMPONENTS TO UNREINFORCED DOORS AND TO WOOD OR PLASTIC FACED COMPOSITE TYPE FIRE DOORS, UNLESS AN ALTERNATIVE METHOD IS IDENTIFIED IN THE INDIVIDUAL DOOR MANUFACTURER'S LISTINGS.
5. MAX. OPENING IS 180°.
6. OPTIONAL DPK FASTENERS (DPK86) FOR STEEL DOOR & FRAME ONLY.



FOR 1/4-20 MACHINE SCREWS USE 7/32" DRILL & TAP
 FOR No.14 WOOD SCREWS USE 5/32" DRILL
 DPK FASTENERS DRILL 1/8" PILOT HOLE
 FOR SEX NUTS USE 3/8" DRILL
 FOUR (4) HOLES IN DOOR FOR PLATE



DOOR CLOSER MODELS: 8616 AR, AF x MJ
 REGULAR INSTALLATION (PULL SIDE MOUNT)
 WITH PLATES BP86, BP86FC